

PHILIPS

RF-DALI connector



Specification Sheet

RF-DALI connector

Accessory controller for Interact Pro

- The RF-DALI connector is designed to connect luminaires to the Interact Pro system.
- Switch ON/OFF and control with DALI the connected luminaire(s).
- Reports total energy usage of the connected luminaire(s) in the Interact Pro dashboard.
- The maximum load of the connector is 250 VA.

RF-DALI connector

Features

- Connects existing DALI driver(s) to become part of wireless connected lighting systems
- Connect to regular mains switchable luminaires with standard ON/OFF behavior
- Can be programmed using Interact Pro app or dashboard.
- The device is Interact ready and can be easily linked to a wireless lighting system, for example Interact Pro.

Benefits

- Improve overall project flexibility and efficiency by controlling luminaire(s) using mains and DALI.
- Energy reporting for the connected luminaire(s) capable.
- Minimal startup and configuration expertise savings on labor time & effort.
- Deep energy savings & code compliance strategies.

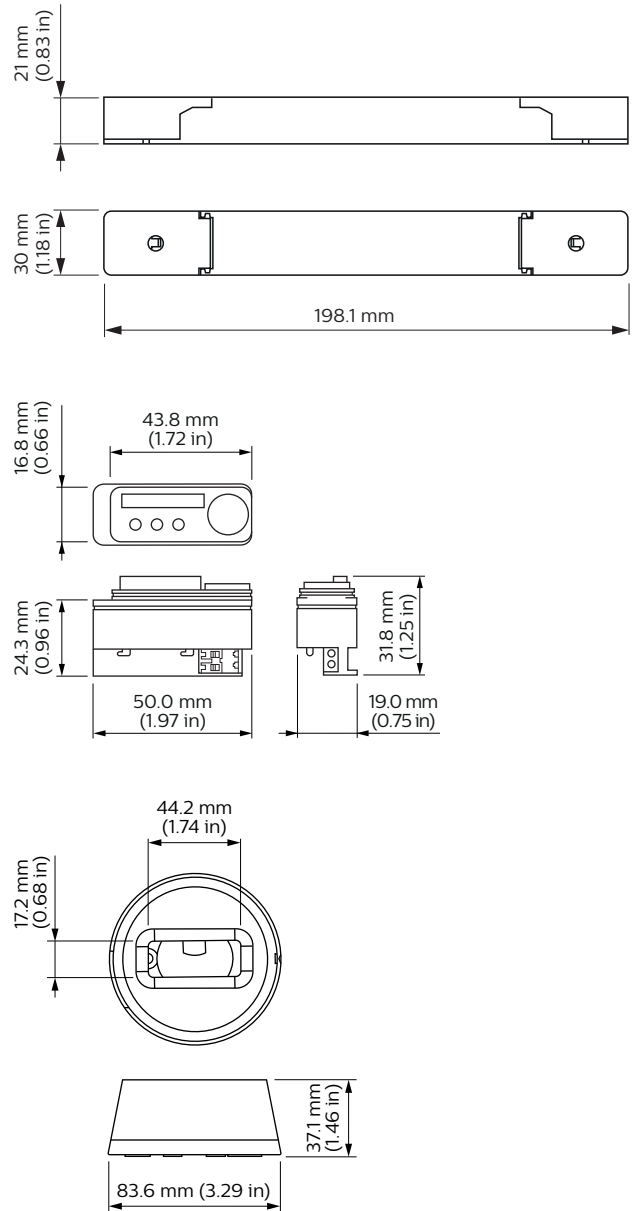
Applications

- Titanium SR Bridge
- SNS441 Zigbee Transceiver
- SA0600 Sensor mounting box
- 2-wire cable (1 m, 0.75 mm²)

Applications

- Conference rooms
- Individual offices
- Open offices
- Classrooms
- Storage and break areas
- Restrooms
- Lobbies
- Stairways

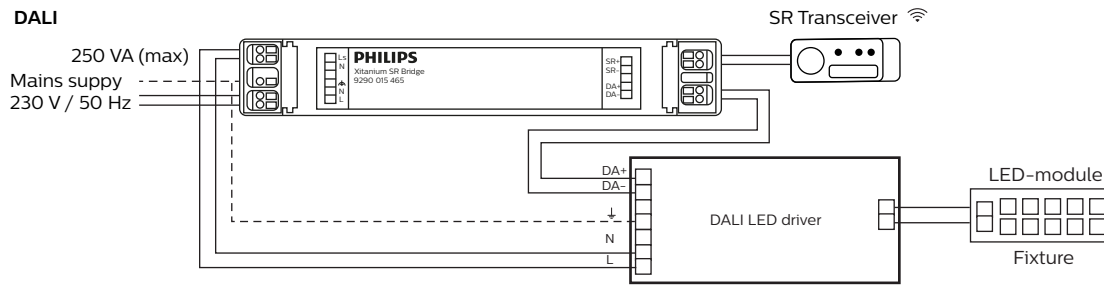
Dimensional drawings



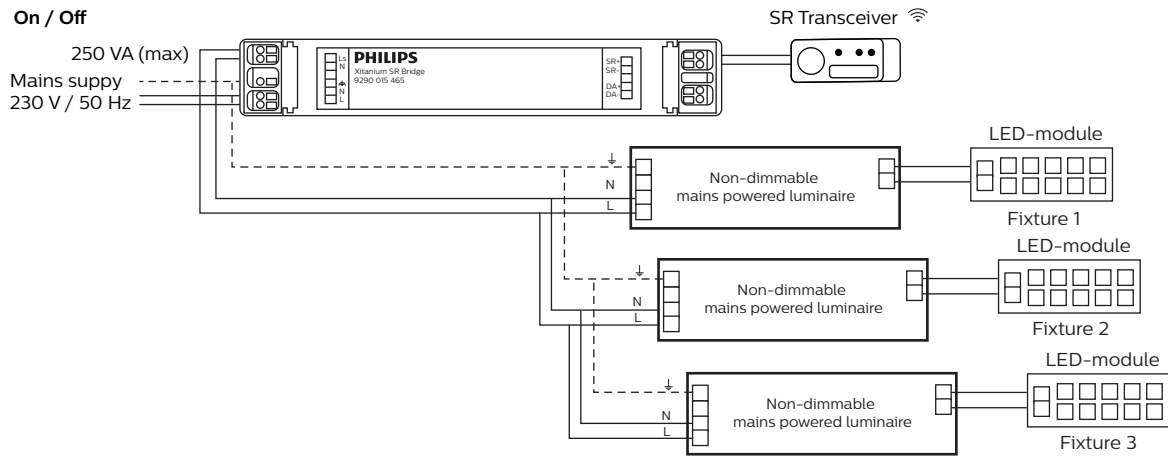
RF-DALI connector

Wiring

DALI



On / Off



Specifications ^{1, 2}

Mechanical

Sensor box	Polycarbonate
------------	---------------

Electrical

Input line voltage	220 to 240 Vac \pm 10%
Input line current	2.0 A (max. load at 120 Vac)
Line frequency	50/60 Hz
Rated input power	402 W
Power factor	\geq 0.9
Total harmonic distortion	<20%
Standby power	<0.5 W

Environment

Temperature (operating)	0 to 55 °C (32 to 131 °F)
Temperature (storage and transport)	-25 to 85 °C (-13 to 185 °F)
Relative humidity (operating)	10% to 90% (non-condensing)
Relative humidity (storage and transport)	5% to 95% (non-condensing)

Approbations

Agency approbations	CE
	Tested and approved for use in plenums
Ingress protection	IP20

Warranty

Warranty period	5 years
-----------------	---------



¹ Shown are the most relevant specifications of the combined components of the RF-DALI connector.

² See the specification sheets of the respective components for more information.

Ordering data

Type

Description

9137 010 47003	Interact Pro DALI accessory controller
----------------	--

© 2020 Signify Holding. All rights reserved. Specifications are subject to change without notice. No representation or warranty as to the accuracy or completeness of the information included herein is given and any liability for any action in reliance thereon is disclaimed. Philips and the Philips Shield Emblem are registered trademarks of Koninklijke Philips N.V. All other trademarks are owned by Signify Holding or their respective owners.



www.philips.com/lighting