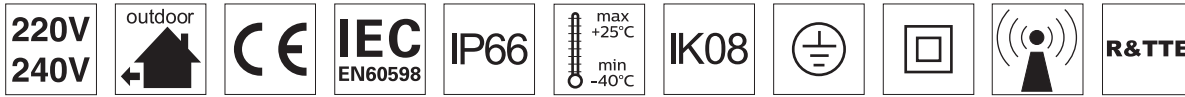


# Copenhagen LED gen2 / Copenhagen City LED gen2

## BRS561 / BDS561 / BSS561 / BRS761 / BDS761 / BSS761



### BXS561

led color	ledgine	LEDs	W +/-10%	kg	INRUSH CURRENT	Max. LEDs	Ta 25 °C	Ta 15 °C	led color	ledgine	LEDs	W +/-10%	kg	INRUSH CURRENT	Max. LEDs	Ta 25 °C	Ta 15 °C
740	LED24	20	15.4	5.2	21A/225µs	26	✓	✓	830	LED21	20	16.6	5.2	21A/225µs	26	✓	✓
740	LED32	20	20	5.2	21A/225µs	26	✓	✓	830	LED24	20	18.8	5.2	21A/225µs	26	✓	✓
740	LED35	20	22	5.2	21A/225µs	26	✓	✓	830	LED32	20	25	5.2	21A/225µs	26	✓	✓
740	LED40	20	25	5.2	21A/225µs	26	✓	✓	830	LED35	20	27	5.2	21A/225µs	26	✓	✓
740	LED46	20	29	5.4	21A/225µs	26	✓	✓	830	LED40	40	29.5	5.2	47A/225µs	26	✓	✓
740	LED48	40	29	5.4	47A/250µs	10	✓	✓	830	LED46	40	33.5	5.4	47A/250µs	10	✓	✓
740	LED56	40	33	5.4	47A/250µs	10	✓	✓	830	LED48	40	35	5.4	47A/250µs	10	✓	✓
740	LED58	40	34	5.4	47A/250µs	10	✓	✓	830	LED56	40	41	5.4	47A/250µs	10	✓	✓
740	LED64	40	37.5	5.4	47A/250µs	10	✓	✓	830	LED58	40	42	5.4	47A/250µs	10	✓	✓
740	LED70	40	41	5.4	47A/250µs	10	✓	✓	830	LED64	40	47	5.4	47A/250µs	10	✓	✓
740	LED75	40	44	5.4	47A/250µs	10	✓	✓	830	LED70	40	52	5.4	47A/250µs	10	✓	✓
740	LED80	40	47.5	5.4	47A/250µs	10	✓	✓	830	LED75	40	56	5.4	47A/250µs	10	✓	✓
740	LED88	40	52	5.4	47A/250µs	10	✓	✓	830	LED80	40	60	5.4	47A/250µs	10	✓	✓
740	LED93	40	56	5.4	47A/250µs	10	✓	✓	830	LED88	40	66	5.4	47A/250µs	10	✓	✓
740	LED96	40	58	5.4	47A/250µs	10	✓	✓	830	LED93	40	71	5.4	47A/250µs	10	✓	✓
740	LED100	40	60	5.4	47A/250µs	10	✓	✓	830	LED96	40	73	5.4	47A/250µs	10	✓	✓
740	LED104	40	63	5.4	47A/250µs	10	✓	✓	830	LED100	40	77	5.4	47A/250µs	10	✓	✓
740	LED110	40	67	5.4	47A/250µs	10	✓	✓	830	LED104	40	81	5.4	47A/250µs	10	✓	✓
740	LED116	40	71	5.4	47A/250µs	10	✓	✓									
740	LED120	40	74	5.4	47A/250µs	10	✓	✓									
740	LED125	40	78	5.4	47A/250µs	10	✓	✓									
740	LED130	40	82	5.4	47A/250µs	10	✓	✓									

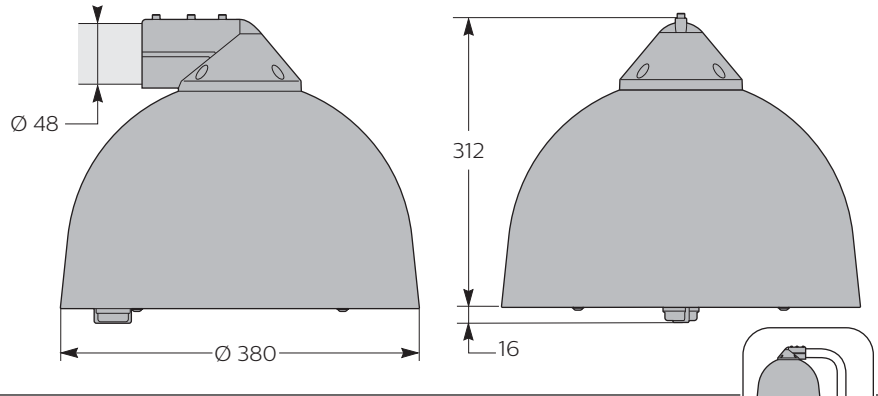
\*Maxi number of luminaire on MCB 16A type B


### BXS761

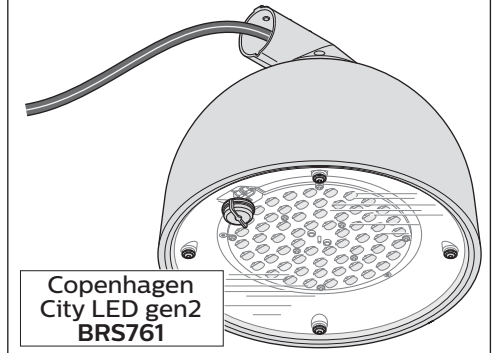
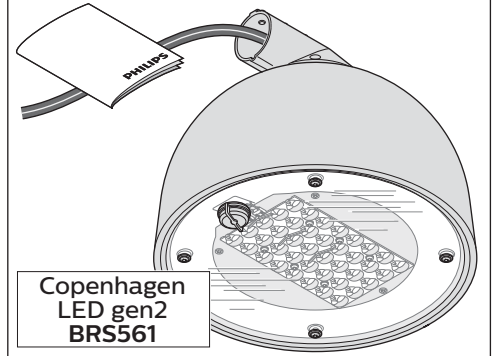
led color	ledgine	LEDs	W +/-10%	kg	INRUSH CURRENT	Max. LEDs	Ta 25 °C	Ta 15 °C	led color	ledgine	LEDs	W +/-10%	kg	INRUSH CURRENT	Max. LEDs	Ta 25 °C	Ta 15 °C
740	LED20	16	14.2	5.2	21A/225µs	26	✓	✓	830	LED20	16	16.6	5.2	21A/225µs	26	✓	✓
740	LED30	16	21	5.2	21A/225µs	26	✓	✓	830	LED30	16	25	5.2	21A/225µs	26	✓	✓
740	LED40	16	28	5.2	21A/225µs	26	✓	✓	830	LED40	16	34.5	5.2	21A/225µs	26	✓	✓
740	LED50	40	32.5	5.4	47A/250µs	10	✓	✓	830	LED50	40	38.5	5.4	47A/250µs	10	✓	✓
740	LED60	40	38.5	5.4	47A/250µs	10	✓	✓	830	LED60	40	46.5	5.4	47A/250µs	10	✓	✓
740	LED70	40	45.5	5.4	47A/250µs	10	✓	✓	830	LED70	40	55	5.4	47A/250µs	10	✓	✓
740	LED80	64	51	5.4	47A/250µs	10	✓	✓	830	LED80	64	60	5.4	47A/250µs	10	✓	✓
740	LED90	64	57	5.4	47A/250µs	10	✓	✓	830	LED90	64	68	5.4	47A/250µs	10	✓	✓
740	LED100	64	63	5.4	47A/250µs	10	✓	✓	830	LED100	64	76	5.4	47A/250µs	10	✓	✓

\*Maxi number of luminaire on MCB 16A type B

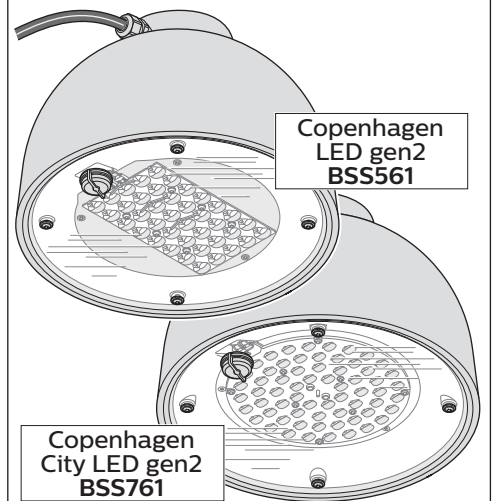
Copenhagen LED gen2 BRS561  
 Copenhagen City LED gen2 BRS761  
 Side entry Ø 48 mm



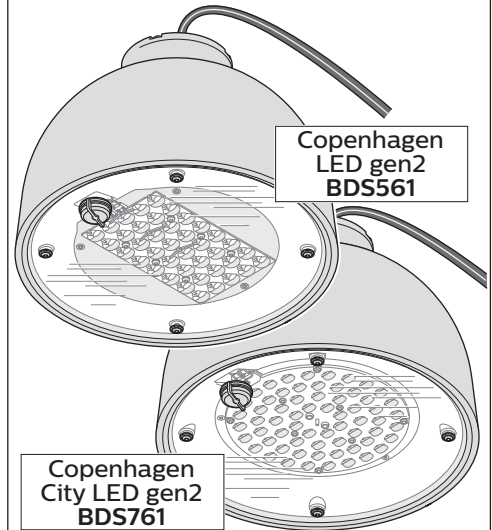
 Copenhagen gen2  
 BRS561 / BRS761  
 Side entry Ø 48 mm / Ø 60 mm



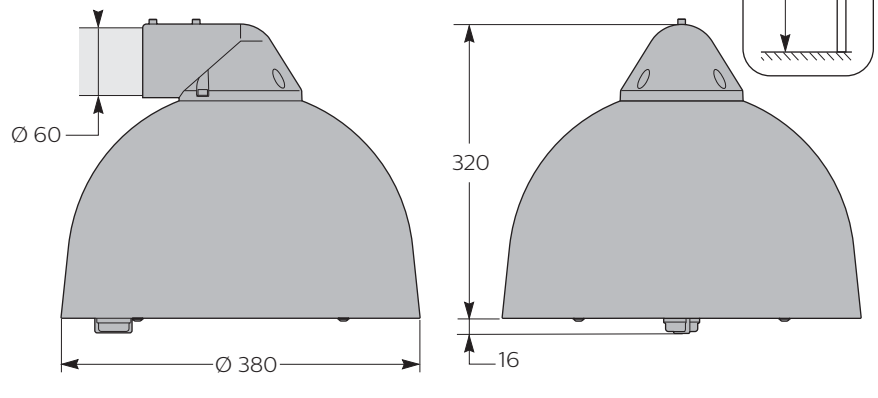
Copenhagen gen2 BSS561 / BSS761  
 Suspended / Wire



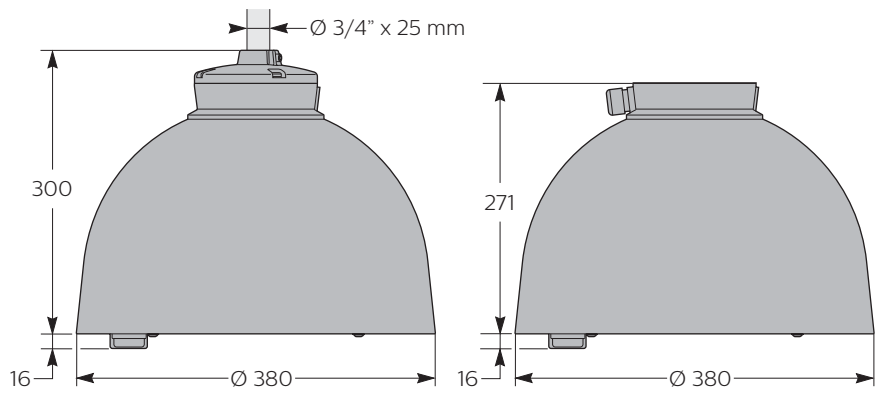
Copenhagen gen2 BDS561 / BDS761  
 Center 3/4" thread



Copenhagen LED gen2 BRS561  
 Copenhagen City LED gen2 BRS761  
 Side entry Ø 60 mm

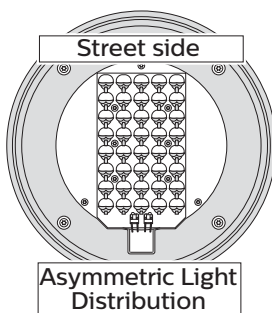


Copenhagen LED gen2 BDS561  
 Copenhagen City LED gen2 BDS761  
 Center 3/4" thread

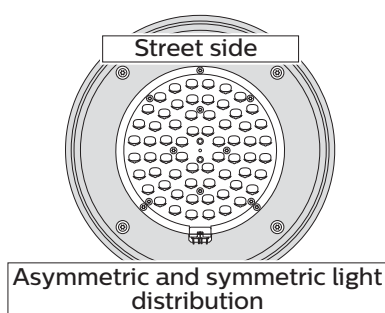


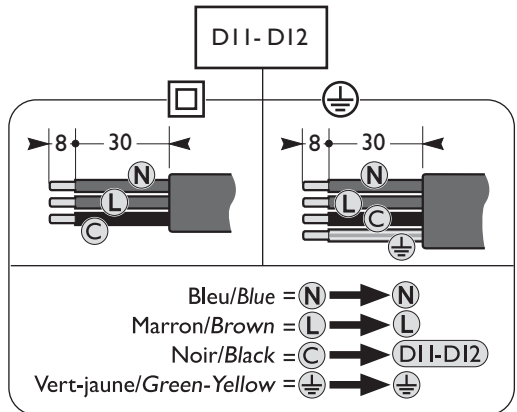
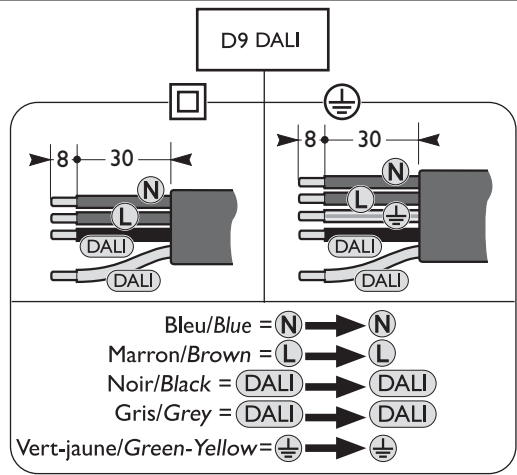
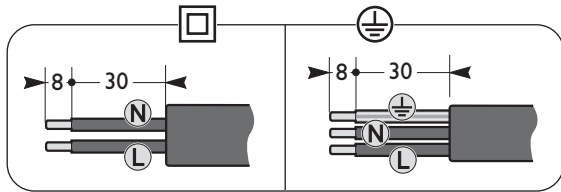
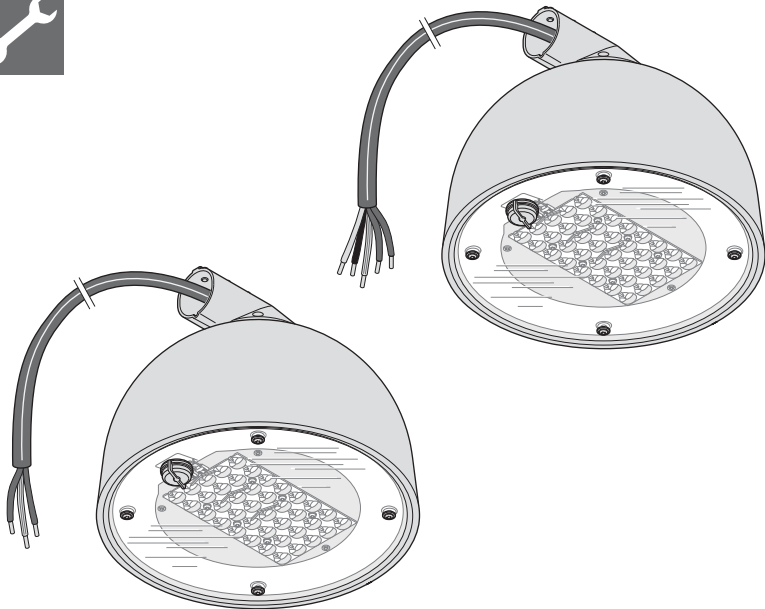
Copenhagen LED gen2 BSS561  
 Copenhagen City LED gen2 BSS761  
 Suspended / Wire

**i** Copenhagen LED gen2

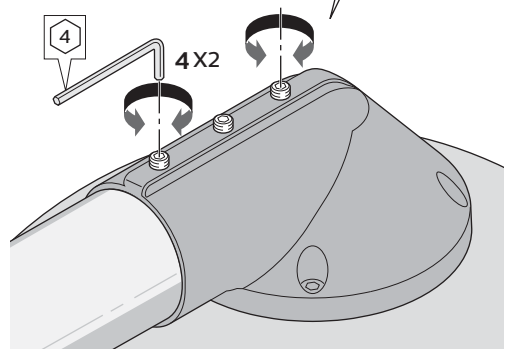
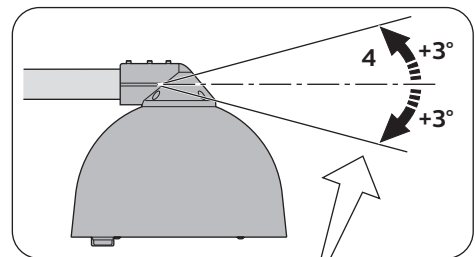
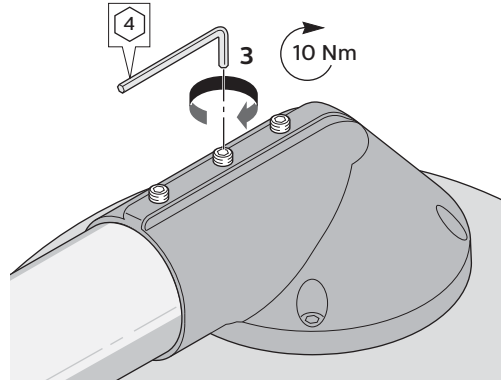
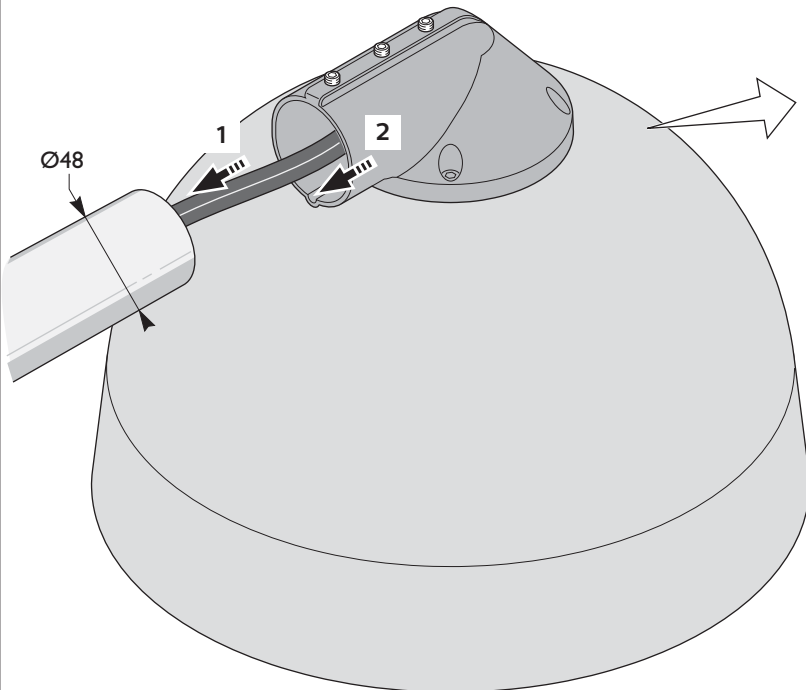


Copenhagen City LED gen2



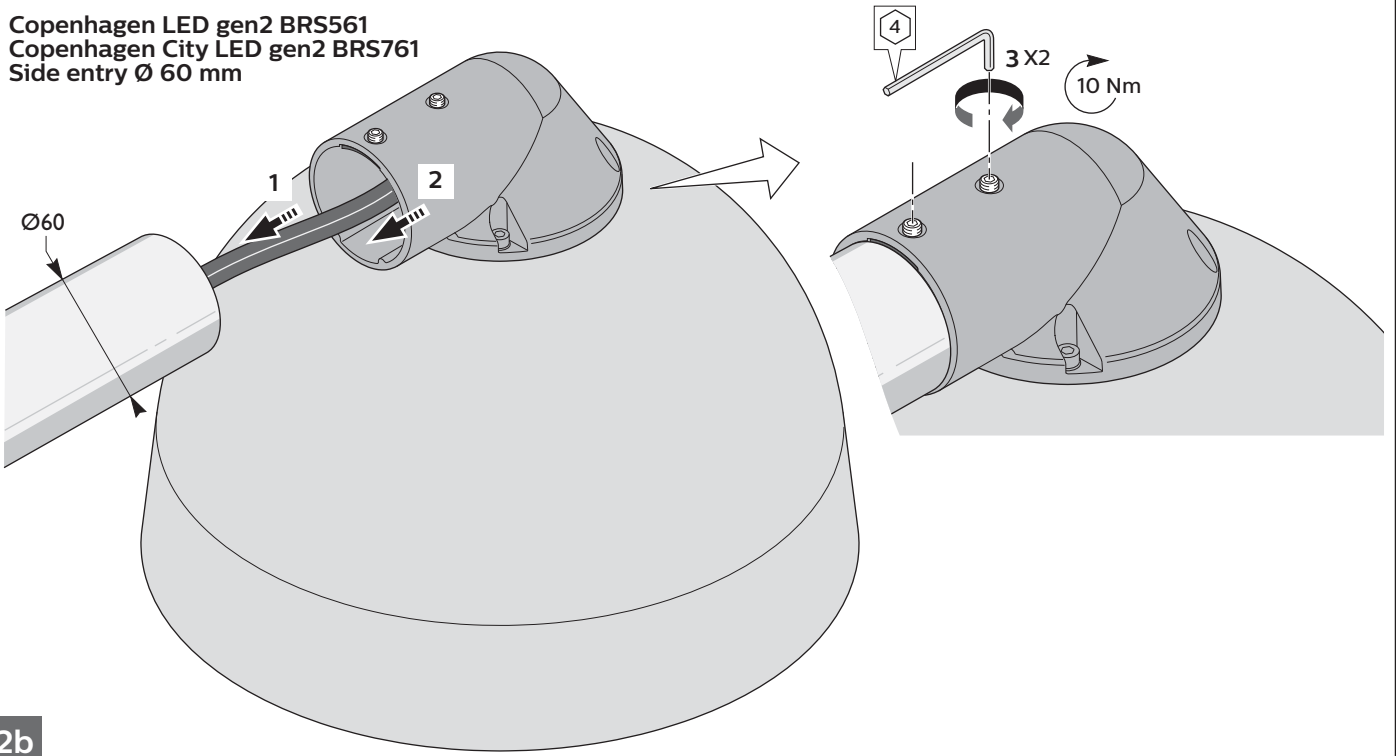


Copenhagen LED gen2 BRS561  
 Copenhagen City LED gen2 BRS761  
 Side entry Ø 48 mm

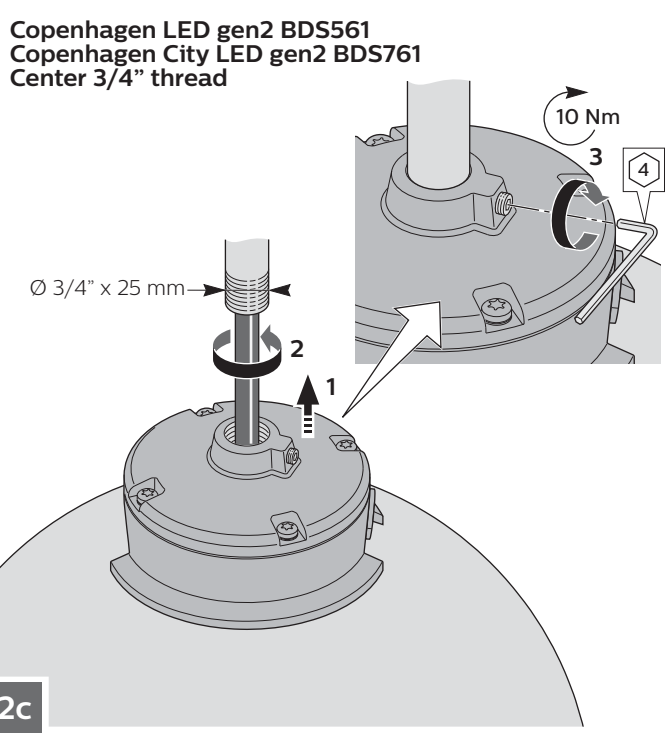


2a

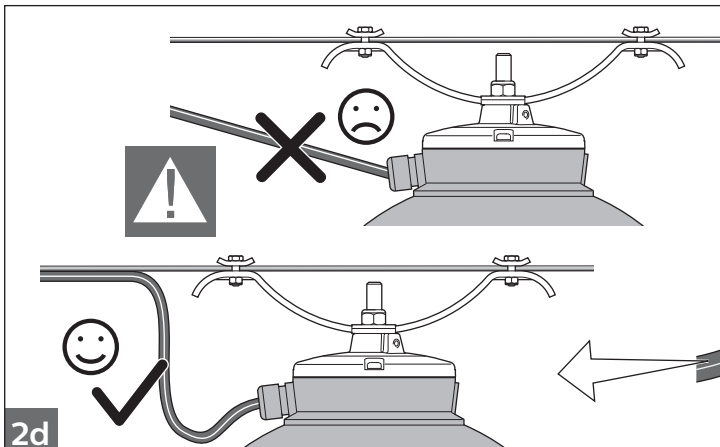
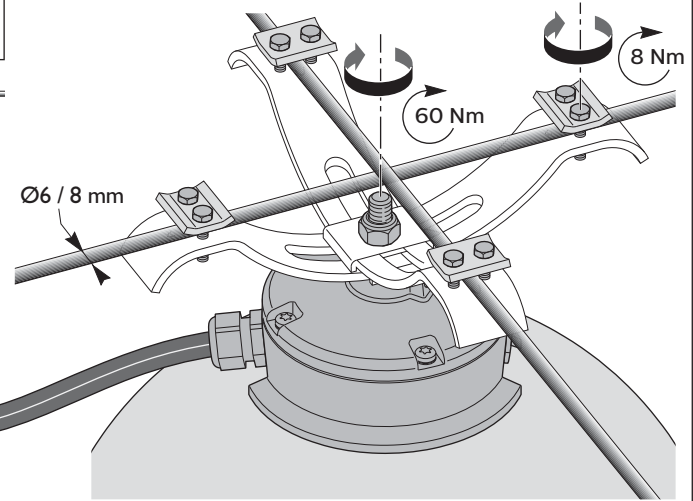
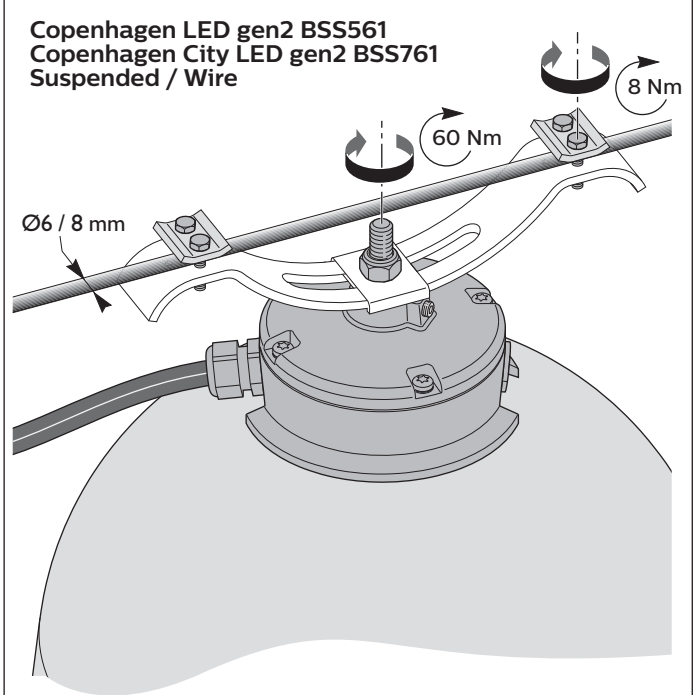
Copenhagen LED gen2 BRS561  
 Copenhagen City LED gen2 BRS761  
 Side entry Ø 60 mm

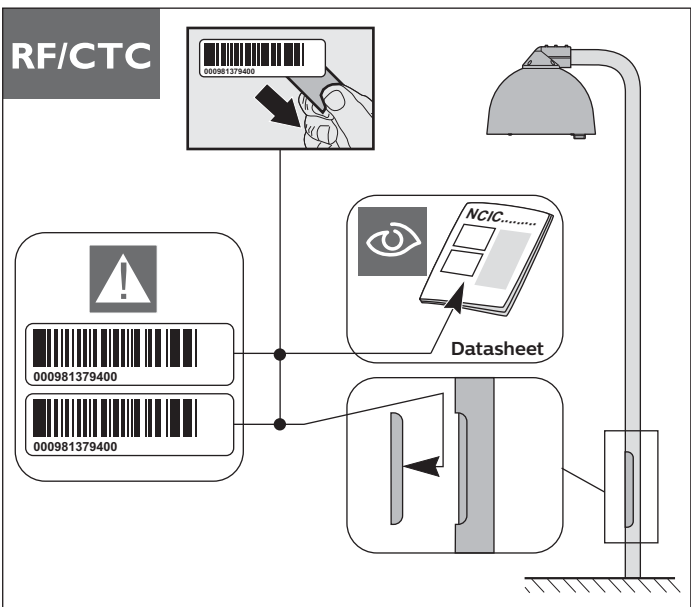
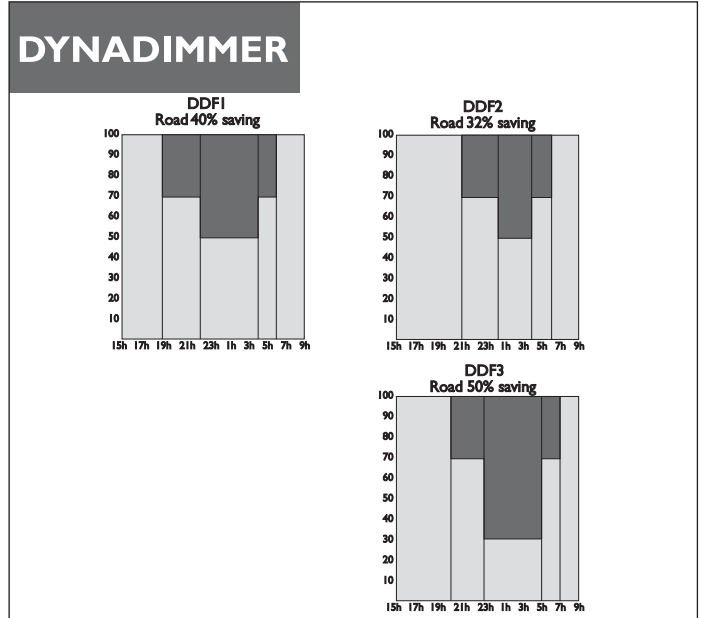
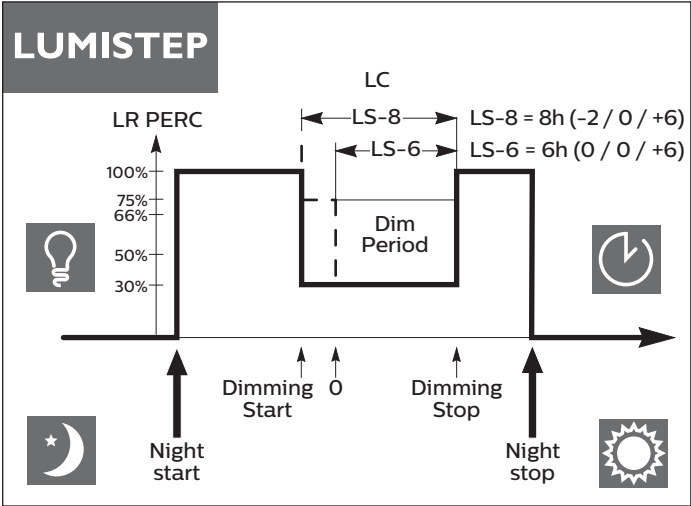


Copenhagen LED gen2 BDS561  
 Copenhagen City LED gen2 BDS761  
 Center 3/4" thread



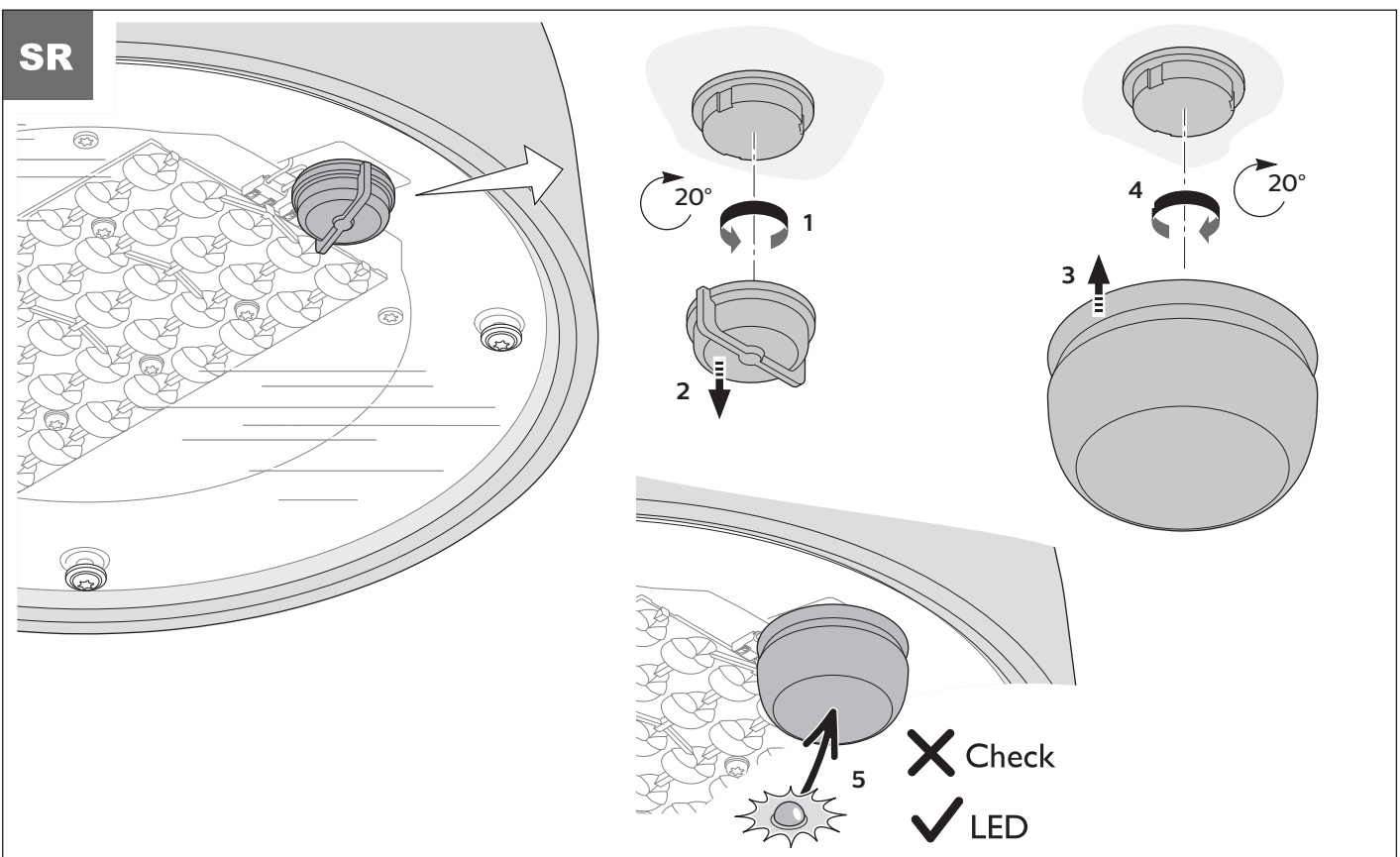
Copenhagen LED gen2 BSS561  
 Copenhagen City LED gen2 BSS761  
 Suspended / Wire



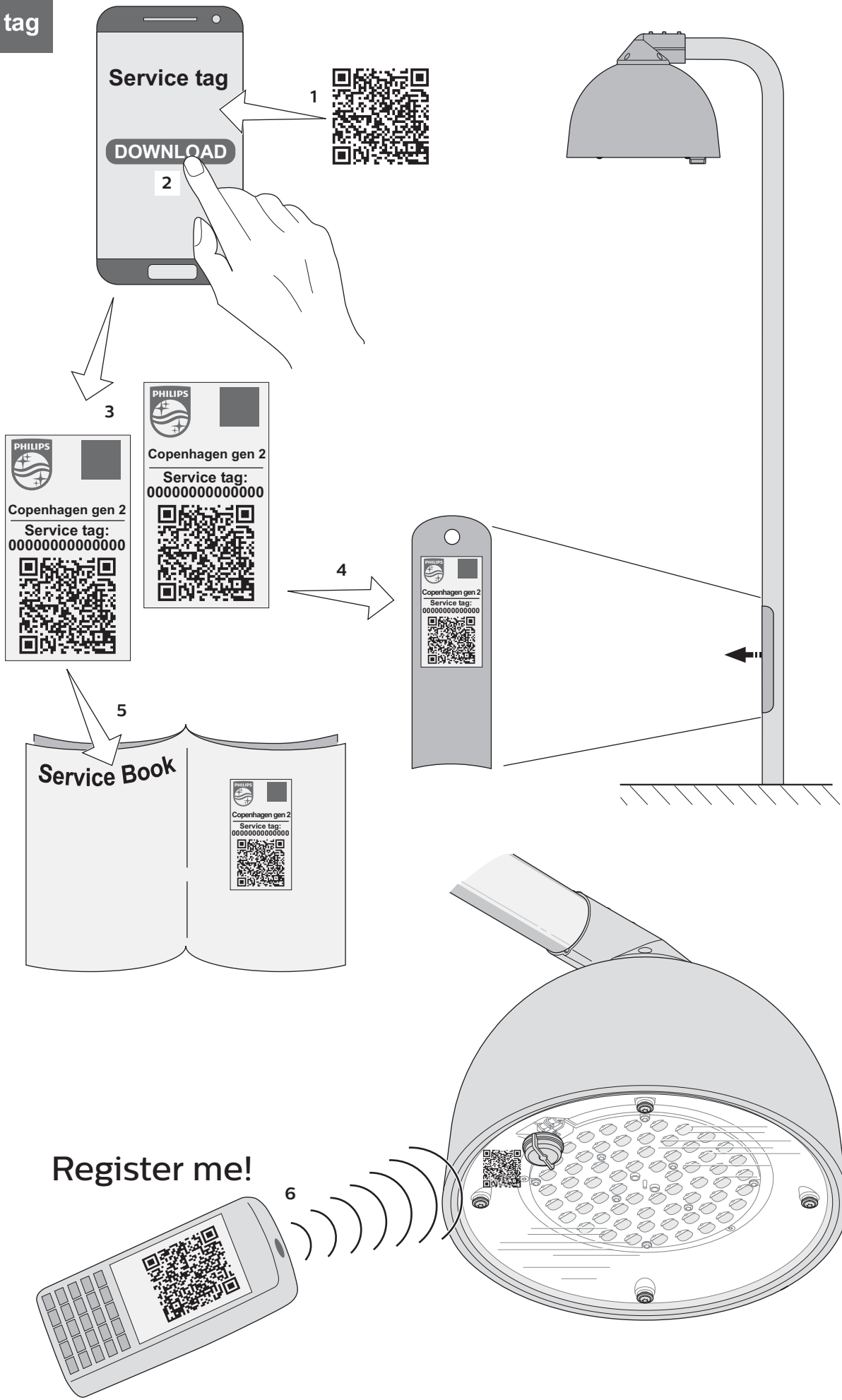


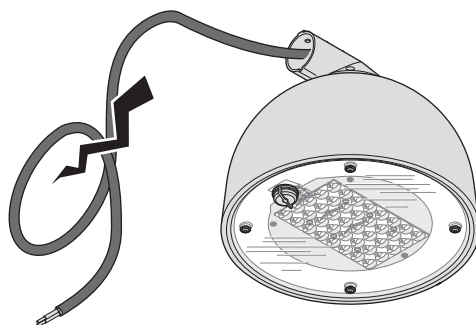
### D9 DALI

<b>BXS56 I</b>	
LED16 → LED40	170-254
LED46 → LED145	195-254
<b>BXS76 I</b>	
LED16 → LED40	170-254
LED46 → LED145	195-254



**Service tag**





## **GB**

If the external flexible cable or cord of this luminaire is damaged, it shall be exclusively replaced by the manufacturer or his service agent or a similar qualified person in order to avoid a hazard.

## **FR**

Si le câble ou le cordon extérieur souple de ce luminaire est endommagé, il doit être remplacé exclusivement par le fabricant ou son agent de maintenance ou toute personne de qualification équivalente, cela afin d'éviter tout risque.

## **DK**

Hvis det udvendige, fleksible kabel eller ledning fra belysningsarmaturet beskadiges, må det udelukkende udskiftes af producenten, producentens serviceafdeling eller en lignende kvalificeret person for at undgå fare.

## **NO**

Hvis armaturets utvendige fleksible kabel eller ledning blir skadet, skal det – for å unngå risiko – bare skiftes av produsenten, produsentens serviceavdeling eller lignende kvalifisert person.

## **SE**

Om armaturens externa kabel är skadad, skall den enbart ersättas av tillverkaren, hans servicetekniker eller annan kvalificerad person för att undvika fara.



© 2019 Signify Holding.

All rights reserved. This document contains information relating to the product portfolio of Signify which information may be subject to change. No representation or warranty as to the accuracy or completeness of the information included herein is given and any liability for any action in reliance thereon is disclaimed. The information presented in this document is not intended as any commercial offer and does not form part of any quotation or contract. Philips and the Philips Shield Emblem are registered trademarks of Koninklijke Philips N.V.. All other trademarks are owned by Signify Holding or their respective owners.