



## Specification Sheet

# LLC7270, LLC7271

## CityTouch OLC COM SR

The LLC7270/1 Citytouch Outdoor Luminaire Controller (OLC) is meant for SR certified luminaires with Zhaga standardized SR socket on top. Because of the Zhaga SR socket, the OLC can be easily installed both in factory and in the field. The CityTouch OLC together with CityTouch Connect App enables the remote light management of SR LED luminaires.

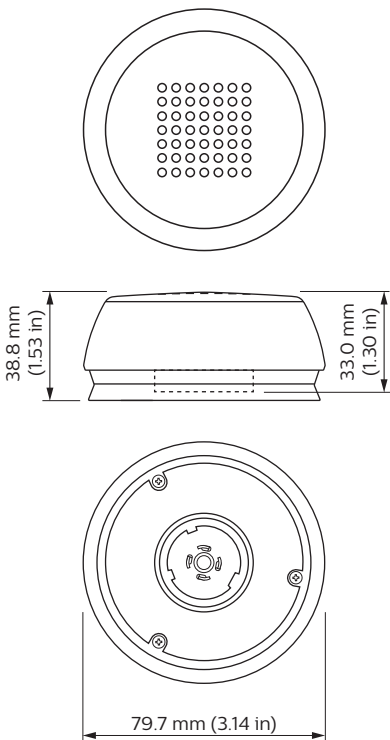


LLC7270

# LLC7270, LLC7271

- The CityTouch OLC COM SR is a luminaire based device that monitors and controls a SR LED-driver/ lamp combination.
- The CityTouch OLC COM SR is using Cellular communication (GPRS) to interact with the CityTouch system.
- The CityTouch OLC COM SR controls the SR LED-driver(s) by means of the SR interface.
- The CityTouch OLC COM SR will monitor, log and store data from the SR LED driver/lamp system.
- The CityTouch OLC COM SR is available in two different colors to match different luminaires: Light Grey (LG) and Dark Grey (DG).

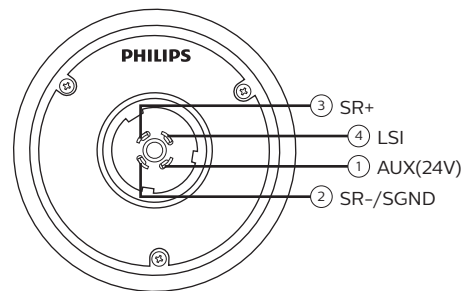
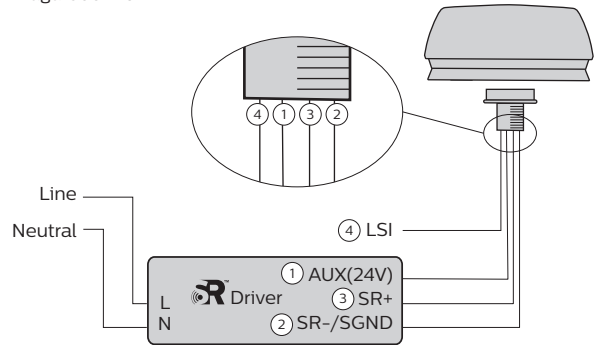
## Dimensional drawings



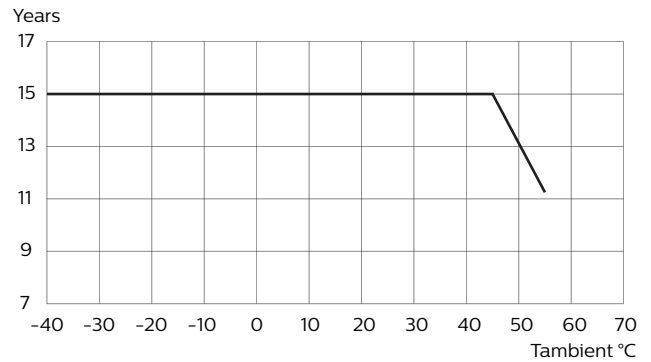
LLC7270, LLC7271

## Wiring diagram

Zhaga book 18



## Lifetime versus Tambient of CommBox



Failure Rate info based upon Telcordia SR-332 issue 3 modeling.  
90% survivals at end of life with Tambient 45° C.

# Specifications

## Product Dimensions

|                      |           |
|----------------------|-----------|
| Height               | 33 mm     |
| Width                | 80 mm     |
| Net weight per piece | 0.0985 kg |

## Supply

|                   |                 |
|-------------------|-----------------|
| Supply voltage    | 15 Vdc / 24 Vdc |
| Power consumption | ≤ 0.5 W         |

## Interface

|                                                     |                                                            |
|-----------------------------------------------------|------------------------------------------------------------|
| SR (Sensor Ready)                                   | According to Philips SR Interface Specification.           |
| LSI (Logic Signal Input to support a motion sensor) | -40 Vdc ... +40 Vdc,<br>High: LSI > 7 V,<br>Low: LSI < 3 V |

## Connectivity

|          |                |
|----------|----------------|
| GSM/GPRS | 900 / 1800 MHz |
|----------|----------------|

## Auto Location

|                    |                                    |
|--------------------|------------------------------------|
| Positioning System | Build in GPS, CEP50 ≤ 2.5 m (8 ft) |
|--------------------|------------------------------------|

## Photo-control

|               |                                |
|---------------|--------------------------------|
| Turn-on / off | Remote configurable lux levels |
|---------------|--------------------------------|

## Temperature Characteristics

|                       |                         |
|-----------------------|-------------------------|
| Operating temperature | -40°C ... +60°C         |
| Storage Temperature   | -40°C ... +80°C         |
| Relative humidity     | 5 – 95 % non-condensing |

## Housing

|                              |                                       |
|------------------------------|---------------------------------------|
| Glow wire test               | EN60598-1 Annex ZC 750° C             |
| Ingress Protection           | IP66, IP class of luminaire unchanged |
| Mechanical impact protection | IK09                                  |
| Plug                         | Compatible with Zhaga book 18         |

## Compliance

|                                                                                       |                                                                                                                                                                                                                                                                                                                                                |
|---------------------------------------------------------------------------------------|------------------------------------------------------------------------------------------------------------------------------------------------------------------------------------------------------------------------------------------------------------------------------------------------------------------------------------------------|
| Marking                                                                               | ENEC, CE, SR                                                                                                                                                                                                                                                                                                                                   |
| Radio Equipment Directive (RED) 2014/53/EU                                            | EN 60950-1:2006+ A1:2009+ A12:2011+ A1:2010+AC:2011+A2:2013<br>EN 61347-2-11:2001<br>EN 61347-1:2015<br>EN 62311:2008<br>ETSI EN 301 489-1 V2.1.1<br>ETSI EN 301 489-3 V2.1.0<br>ETSI EN 301 489-52 V1.1.0<br>EN 55015:2013<br>EN 61457:2009<br>EN 61000-3-2:2014<br>EN 61000-3-3:2013<br>ETSI EN 300 440-1 V2.1.1<br>ETSI EN 301 511 V12.1.10 |
| Restriction of the use of Hazardous Substances in electrical and electronic equipment | RoHS Directive 2011/65/EU<br>Upcoming Directive (EU) 2015/863                                                                                                                                                                                                                                                                                  |



## Ordering Data

| Type                               | Order code     | EAN1           | EAN3           | EOC       |
|------------------------------------|----------------|----------------|----------------|-----------|
| LLC7270/00 CityTouch OLC COM SR DG | 9137 003 92903 | 8718696 720653 | 8718696 720660 | 720653 00 |
| LLC7271/00 CityTouch OLC COM SR LG | 9137 003 93003 | 8718696 720677 | 8718696 720684 | 720677 00 |

© 2019 Signify Holding. All rights reserved. Specifications are subject to change without notice. No representation or warranty as to the accuracy or completeness of the information included herein is given and any liability for any action in reliance thereon is disclaimed. Philips and the Philips Shield Emblem are registered trademarks of Koninklijke Philips N.V. All other trademarks are owned by Signify Holding or their respective owners.



[www.philips.com/lighting](http://www.philips.com/lighting)