

PHILIPS

LLC7850/xx, LLC7851/xx,
LLC7852/xx, LLC7853/xx



LLC7850/xx, LLC7852/xx, Light Grey

Installation Instructions

Instructions d'installation
Instrucciones de instalación

Istruzioni per l'installazione
Installatie-instructies

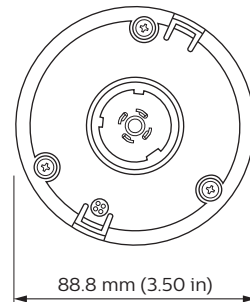
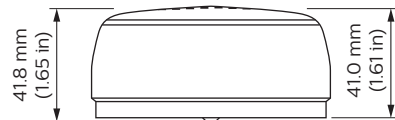
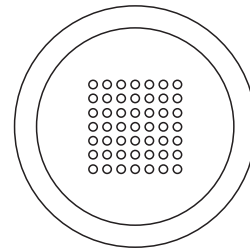
Installationsanweisungen
インストール手順

安裝指示书
إرشادات التركيب

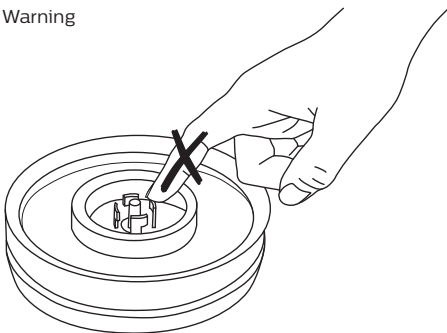
LLC7851/xx, LLC7853/xx, Dark Grey

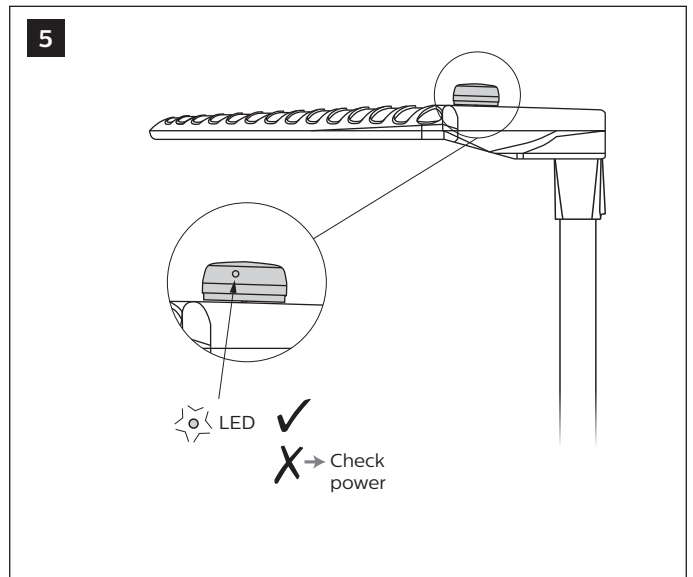
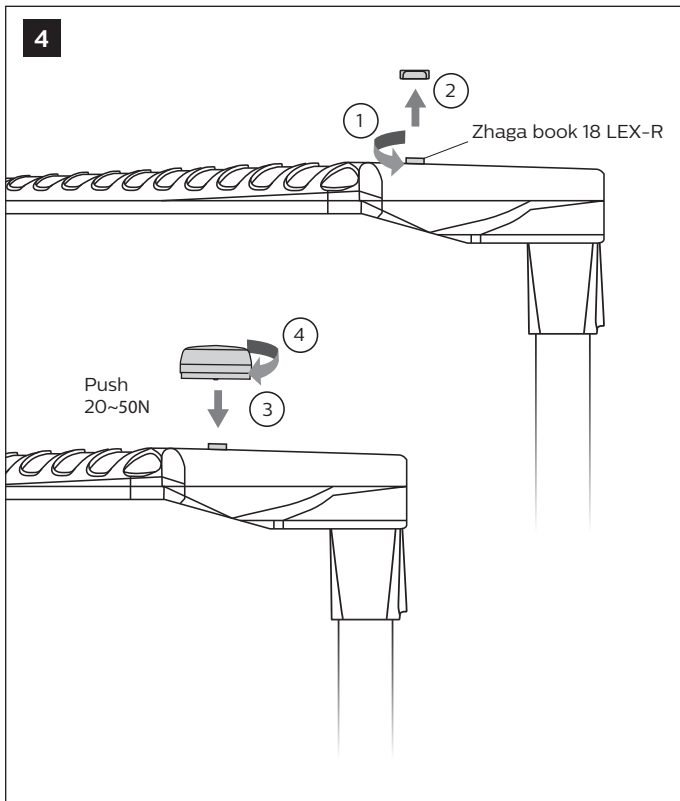
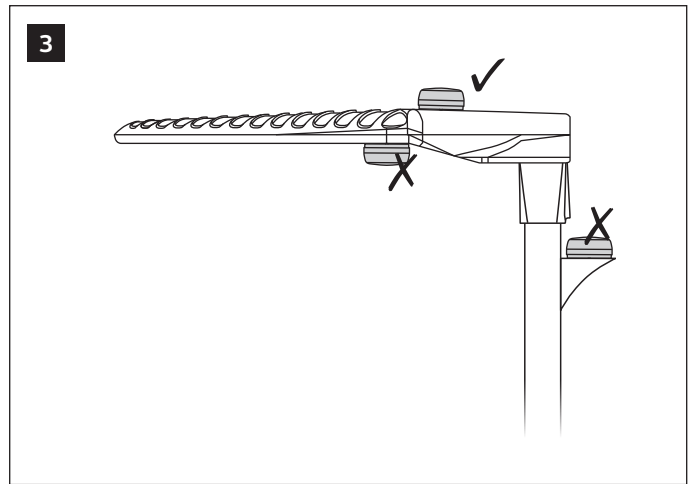
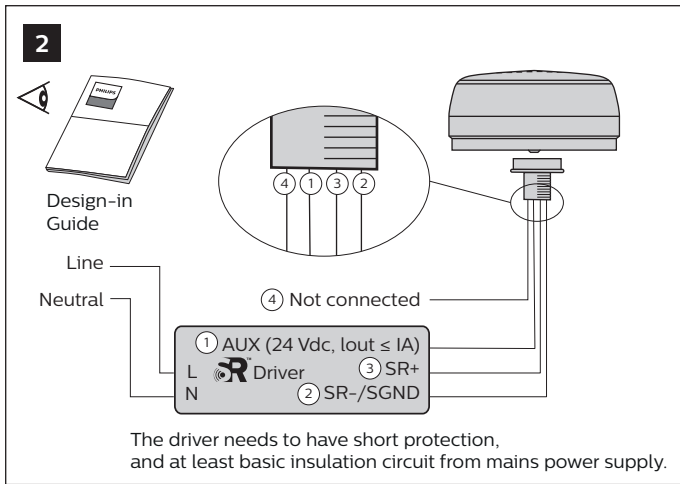


LLC785x/xx



1 ⚠ Warning





RF Exposure Information

This device meets the EU requirements (2014/53/EU) on the limitation of exposure of the general public to electromagnetic fields by way of health protection. The device complies with RF specifications when the device used at 322 mm from your body.

Hereby, Signify declares that the radio equipment type LLC7850/xx, LLC7851/xx, LLC7852/xx and LLC7853/xx are in compliance with Directive 2014/53/EU. The full text of the EU declaration of conformity is available at the following Internet address: <http://www.philips.com/red>

