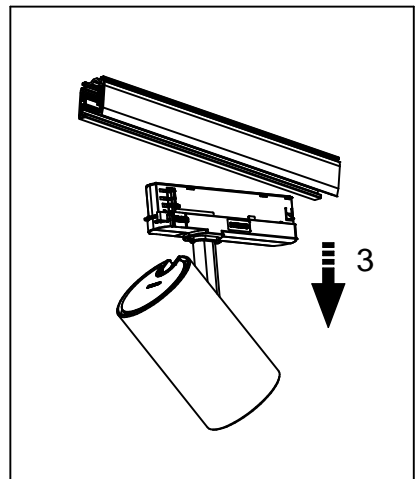
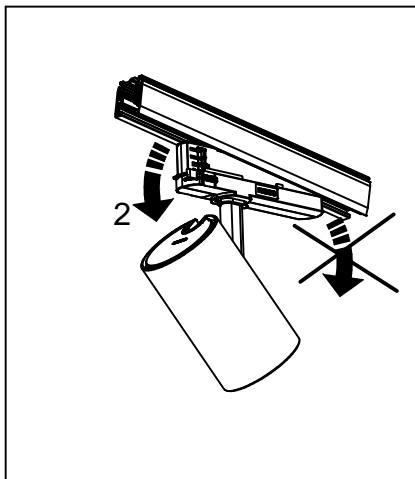
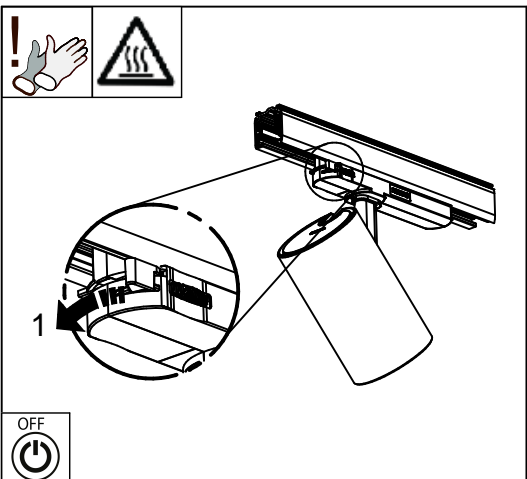
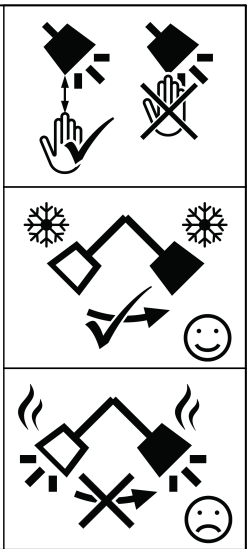
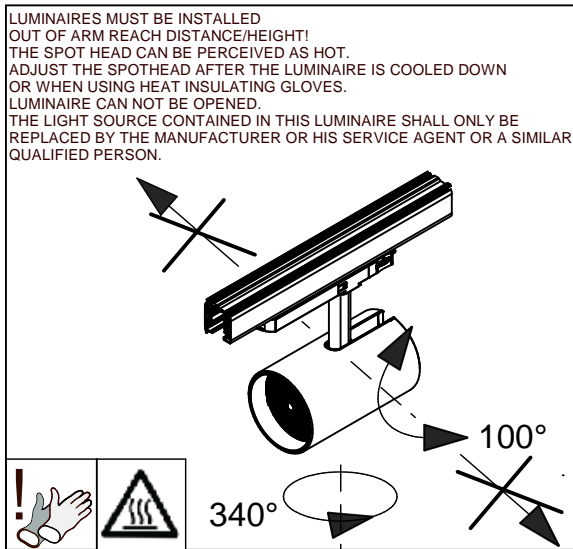
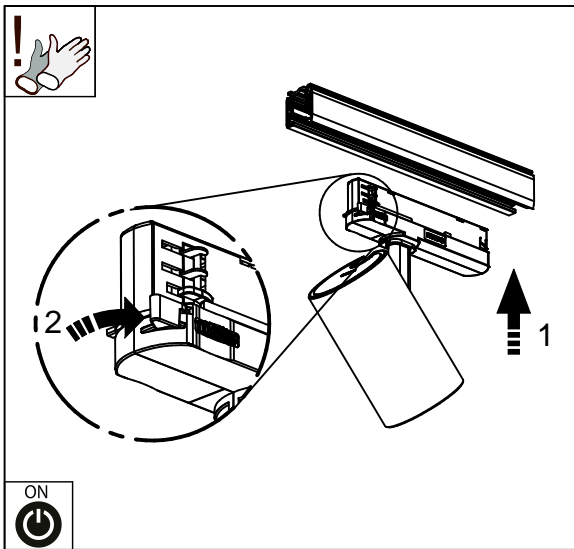
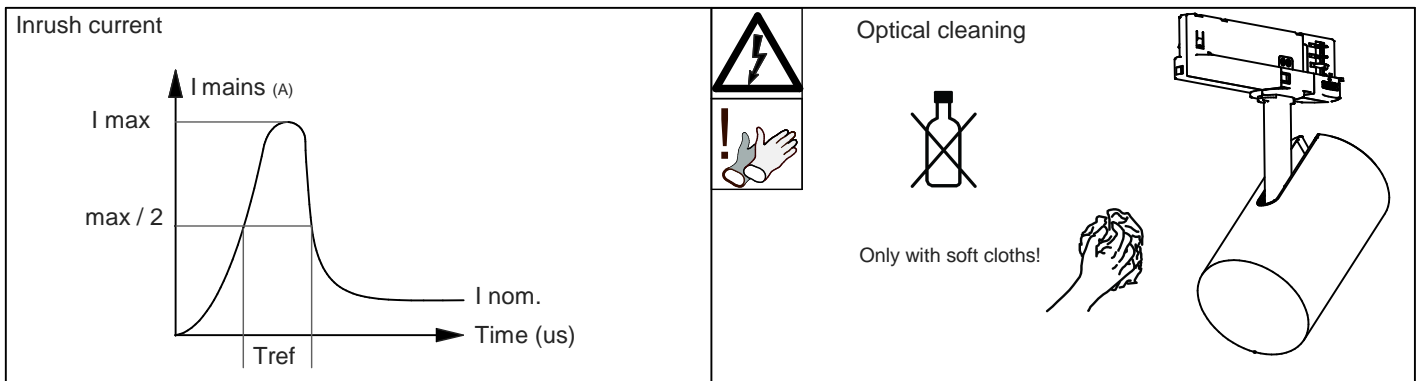
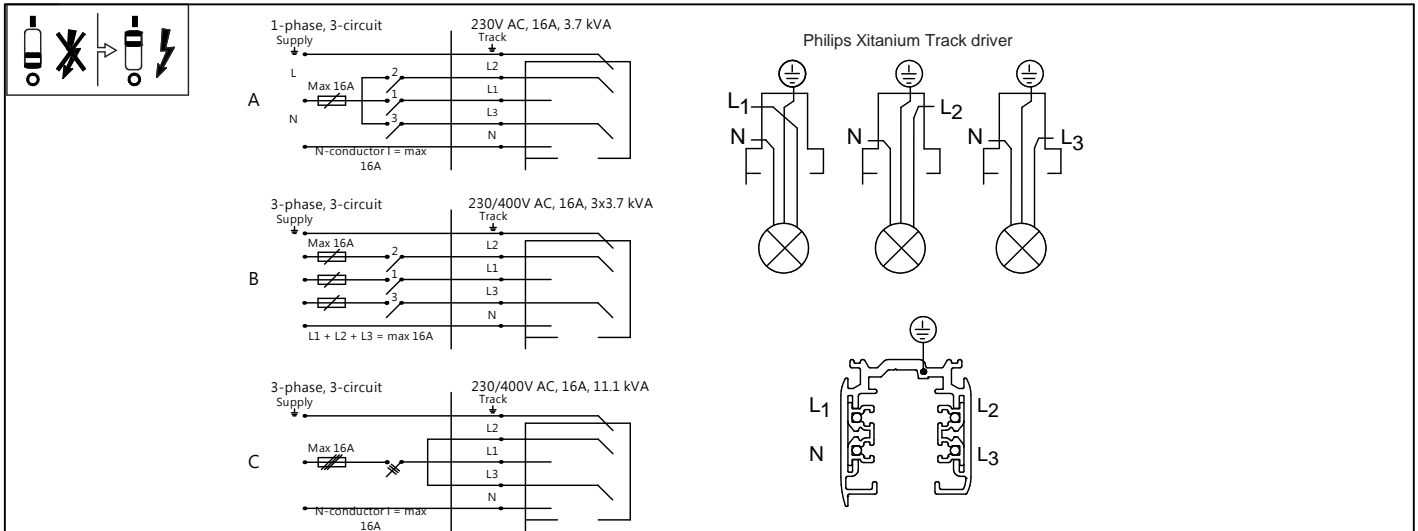
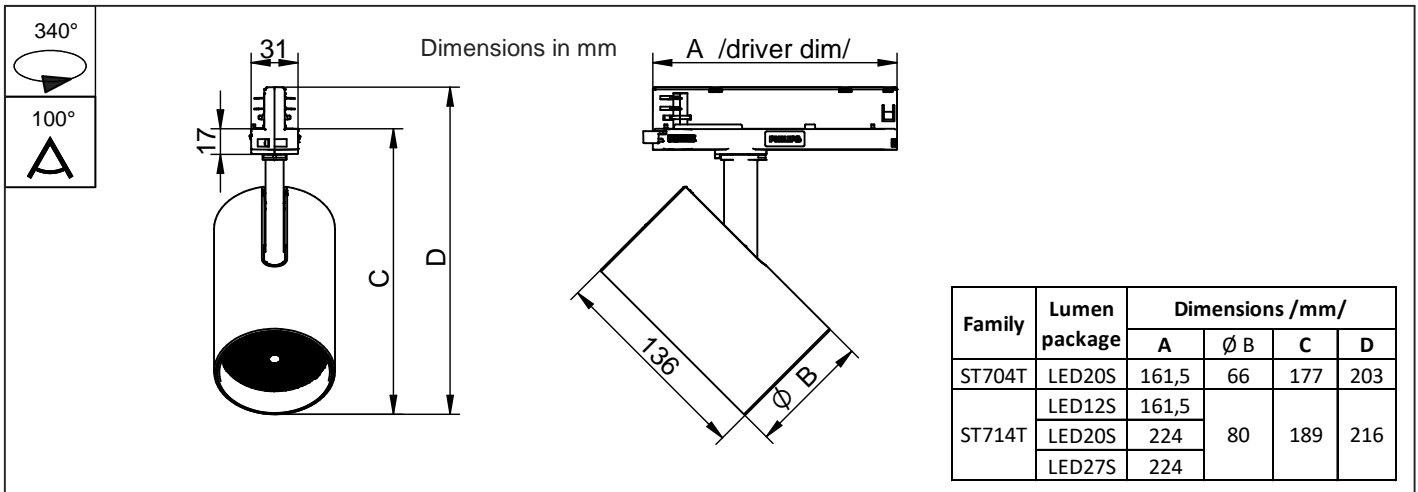


Family	Lumen package	LED Type	Optics	kg
ST704T	LED20S	PW930, PW935,	CLM18, CLM30	0,53/0,64
ST714T	LED12S		PW940, PC930, DNM	
	LED20S	FPO12		
	LED27S	FPO18, FPO24, FP30, FPO36		

Place IPT label here
IPT címkét ide helyez





Family	Lumen package	I _{max} (A)	T _{ref} (µs)	Maximum number of Product on MCB (pcs)			
				B-10A	B-16A	C-10A	C-16A
ST704T	LED20S	12	200	25	40	41	68
ST714T	LED12S	12	200	25	40	41	68
	LED20S	20	240	17	28	29	47
	LED27S	20	240	17	28	29	47

© 2020, Signify Holding B.V.

All rights reserved. This document contains information relating to the product portfolio of Signify which information may be subject to change. No representation or warranty as to the accuracy or completeness of the information included herein is given and any liability for any action in reliance thereon is disclaimed. The information presented in this document is not intended as any commercial offer and does not form part of any quotation or contract. Philips and the Philips Shield Emblem are registered trademarks of Koninklijke Philips N.V.. All other trademarks are owned by Signify Holding or their respective owners.

Signify Holding.
The Netherlands

