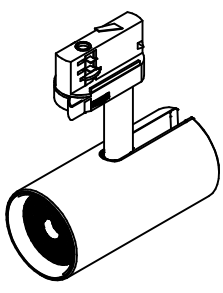


# PHILIPS

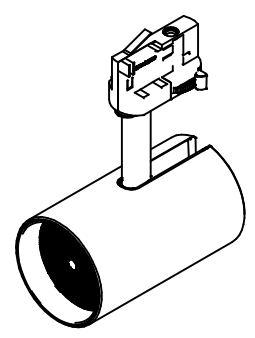
## TrueFashion 2

ST705T; ST715T

ST705T TrueFashion mini



ST715T TrueFashion compact







50 Hz  
60 Hz

220 V  
240 V





LEDs

IP20

IK02

GLOW WIRE  
650 °C

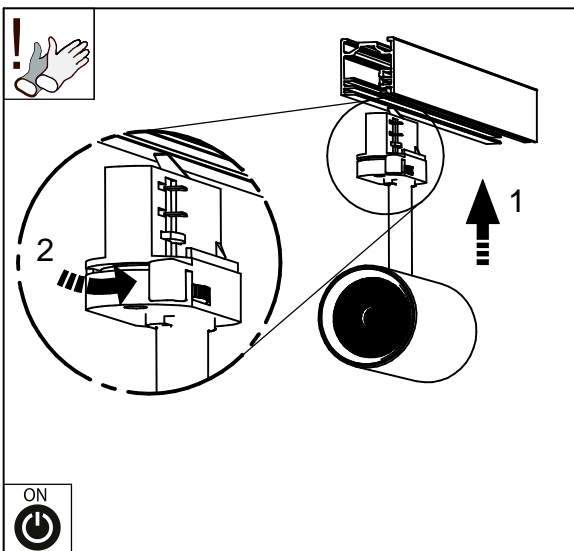


Max. 35 °C  
Min. 10 °C

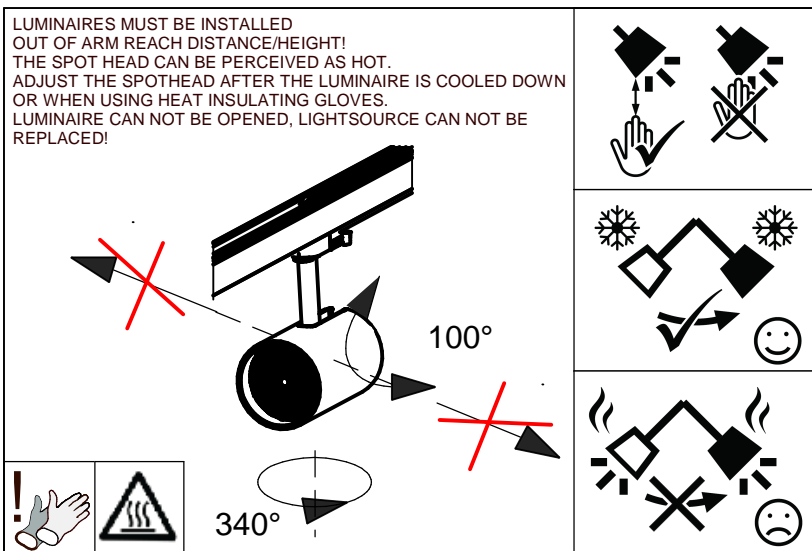
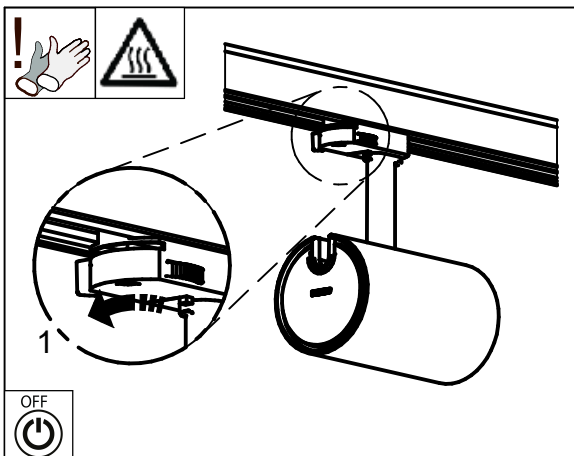
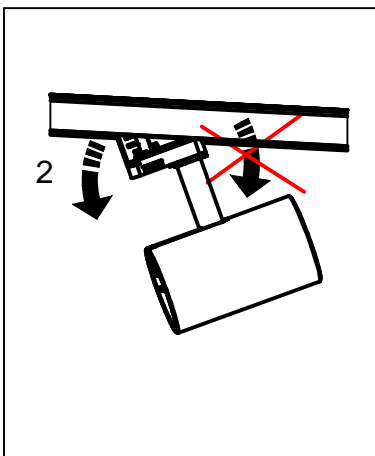
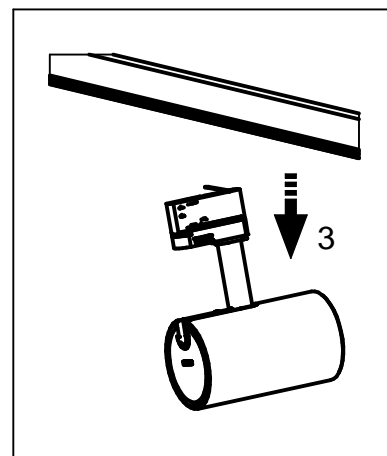


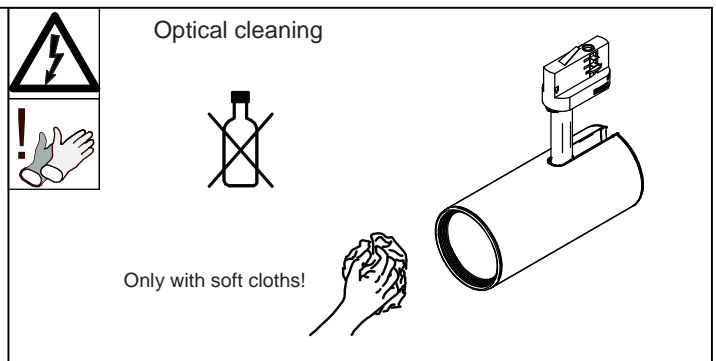
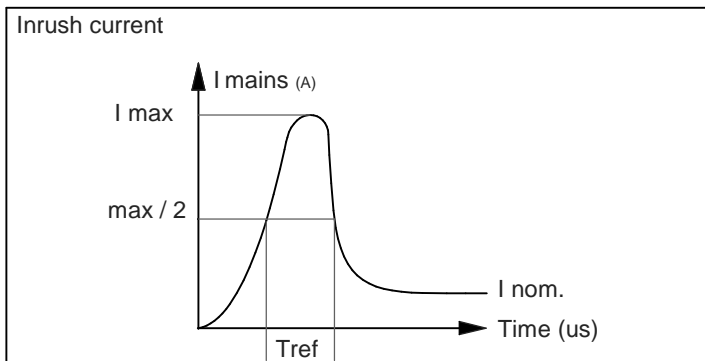
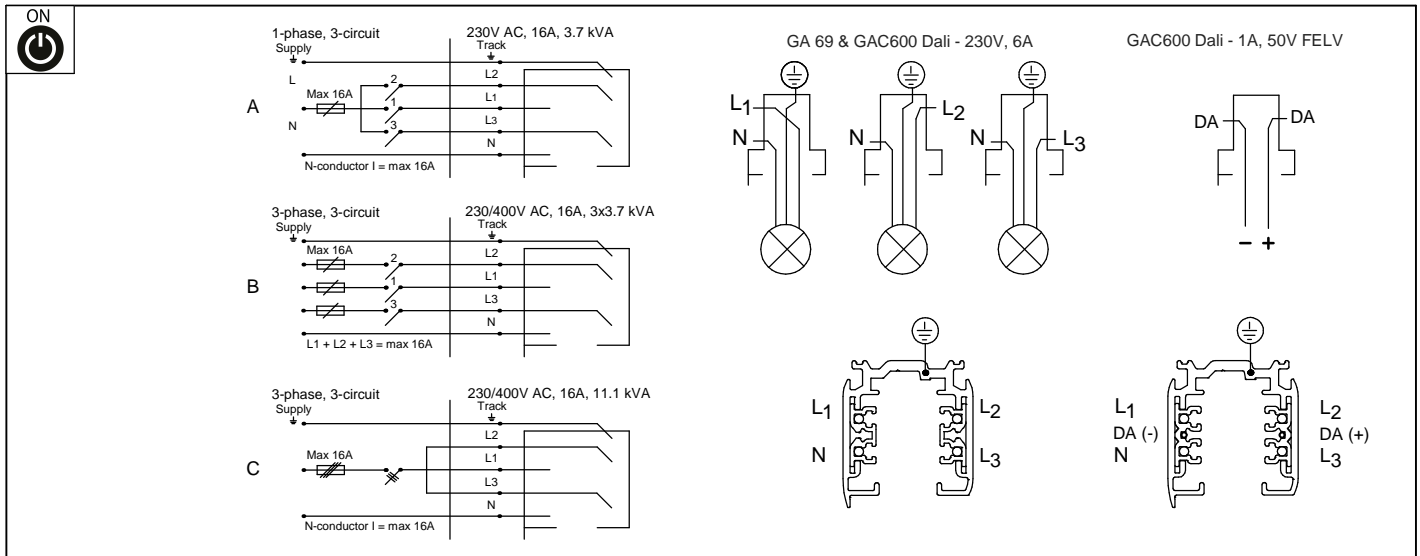
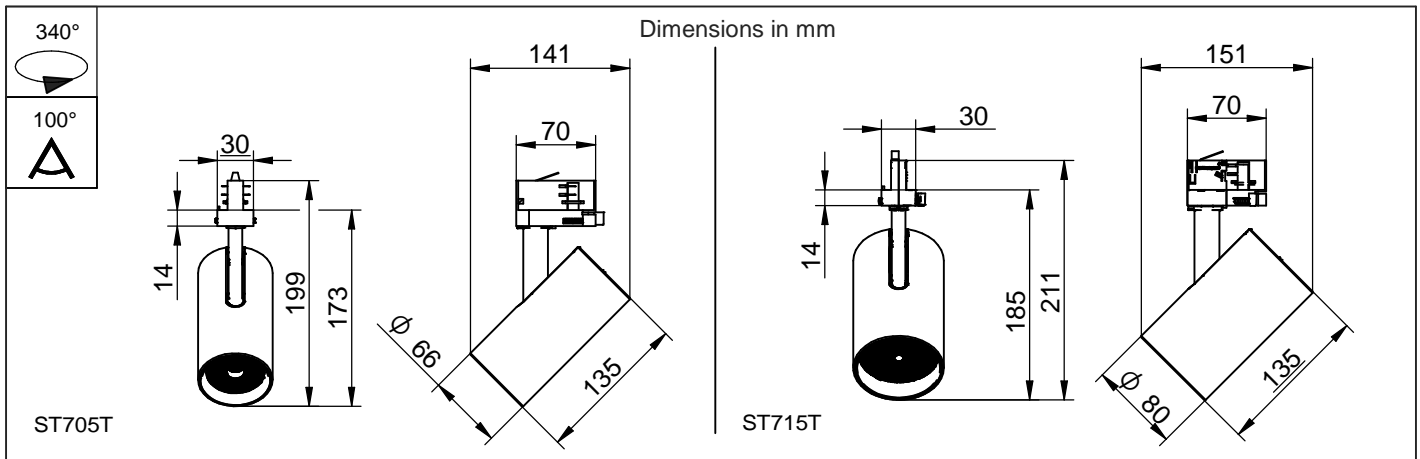
Family type	Lumen package	LED type	Optics	kg	Driver Type
ST705T	LED20S	PW930; PW935; PW940; PC930; DNM	CLM18; CLM30	0,51	PSU/PSD
ST715T	LED20S LED27S		FPO12 FPO18; FPO24; FPO30; FPO36	0,62	

Place IPT label here  
IPT címkét ide helyez



LUMINAIRES MUST BE INSTALLED OUT OF ARM REACH DISTANCE/HEIGHT! THE SPOT HEAD CAN BE PERCEIVED AS HOT. ADJUST THE SPOTHEAD AFTER THE LUMINAIRE IS COOLED DOWN OR WHEN USING HEAT INSULATING GLOVES. LUMINAIRE CAN NOT BE OPENED, LIGHTSOURCE CAN NOT BE REPLACED!



Driver Type	$I_{max}$ (A)	$T_{ref}$ (us)	Maximum number of product on MCB			
			B-10A	B-16A	C-10A	C-16A
PSU	18	250	20	34	35	57
PSD	18	250	20	34	35	57

© 2020, Signify Holding B.V.  
All rights reserved. This document contains information relating to the product portfolio of Signify which information may be subject to change. No representation or warranty as to the accuracy or completeness of the information included herein is given and any liability for any action in reliance thereon is disclaimed. The information presented in this document is not intended as any commercial offer and does not form part of any quotation or contract. Philips and the Philips Shield Emblem are registered trademarks of Koninklijke Philips N.V.. All other trademarks are owned by Signify Holding or their respective owners.

Signify Holding.  
The NetherlandsThe Netherlands

